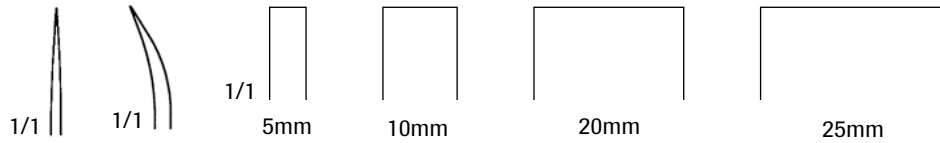


Osteotomes



The unusually long bevel of this osteotome allows the cut bone to gradually bend as it is cut.



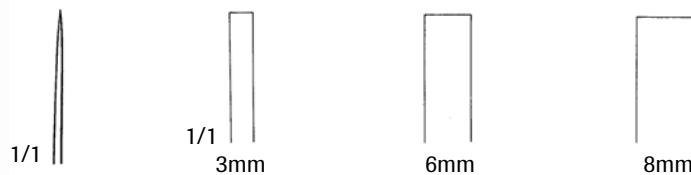
P.I. Beveled Osteotome

7" Straight

- D 761 300 10mm
- D 761 360 20mm
- D 761 400 25mm

7" Curved

- D 761 600 5mm
- D 761 650 10mm



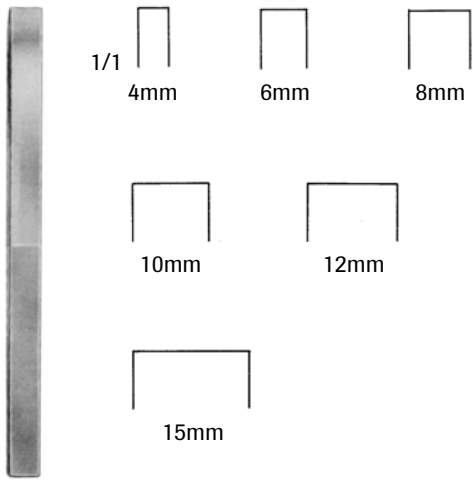
Hoke Osteotome

5-1/4" Straight

- D 526 870 1/8" (3mm)
- D 526 880 3/16" (4mm)
- D 526 890 1/4" (6mm)
- D 526 900 5/16" (8mm)
- D 526 910 3/8" (10mm)
- D 526 920 1/2" (13mm)
- D 526 930 5/8" (16mm)
- D 526 940 3/4" (19mm)

5-1/4" Curved

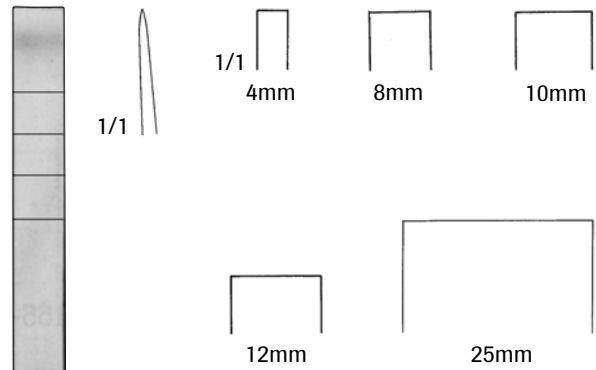
- D 528 900 1/8" (3mm)
- D 528 910 3/16" (4mm)
- D 528 920 1/4" (6mm)
- D 528 930 5/16" (8mm)
- D 528 940 3/8" (10mm)
- D 528 960 1/2" (13mm)
- D 528 980 5/8" (16mm)
- D 528 990 3/4" (19mm)



Mini-Lambotte Osteotome

5" Straight

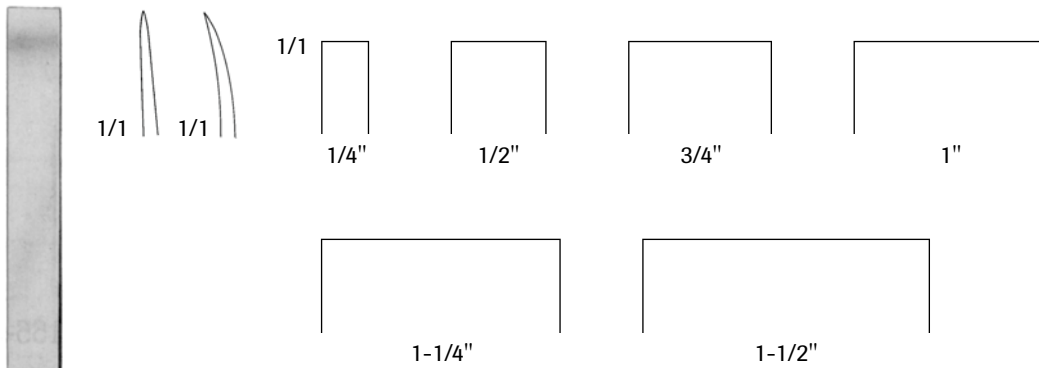
| | | | |
|-----------|------|-----------|------|
| D 525 260 | 4 mm | D 525 330 | 14mm |
| D 525 280 | 6mm | D 525 350 | 15mm |
| D 525 300 | 8mm | D 525 360 | 18mm |
| D 525 320 | 10mm | D 525 370 | 19mm |
| D 525 340 | 12mm | D 525 250 | 20mm |



Lambotte Osteotome

7" Straight, with Calibration Lines

| | | | |
|-----------|------|-----------|------|
| D 525 380 | 4mm | D 525 420 | 12mm |
| D 525 390 | 5mm | D 525 430 | 16mm |
| D 525 400 | 6mm | D 525 440 | 19mm |
| D 525 480 | 8mm | D 525 450 | 22mm |
| D 525 410 | 10mm | D 525 460 | 25mm |



Lambotte Osteotome

9" Straight, without Calibration Lines

| | |
|-----------|--------|
| D 524 940 | 1/4" |
| D 524 960 | 1/2" |
| D 525 000 | 3/4" |
| D 525 040 | 1" |
| D 525 080 | 1-1/4" |
| D 525 120 | 1-1/2" |

9" Curved, without Calibration Lines

| | |
|-----------|--------|
| D 525 180 | 1/4" |
| D 525 190 | 1/2" |
| D 525 200 | 3/4" |
| D 525 210 | 1" |
| D 525 220 | 1-1/4" |
| D 525 230 | 1-1/2" |